



# PRODUCTS CATALOG

ELECTRICAL ENCLOSURES & MODULAR CABINETS



# 20

[exmweb.com](http://exmweb.com)

# IP66 METRIC BOXES

6412 ES

## WATER, OIL & DUST TIGHT ENCLOSURES, METRIC

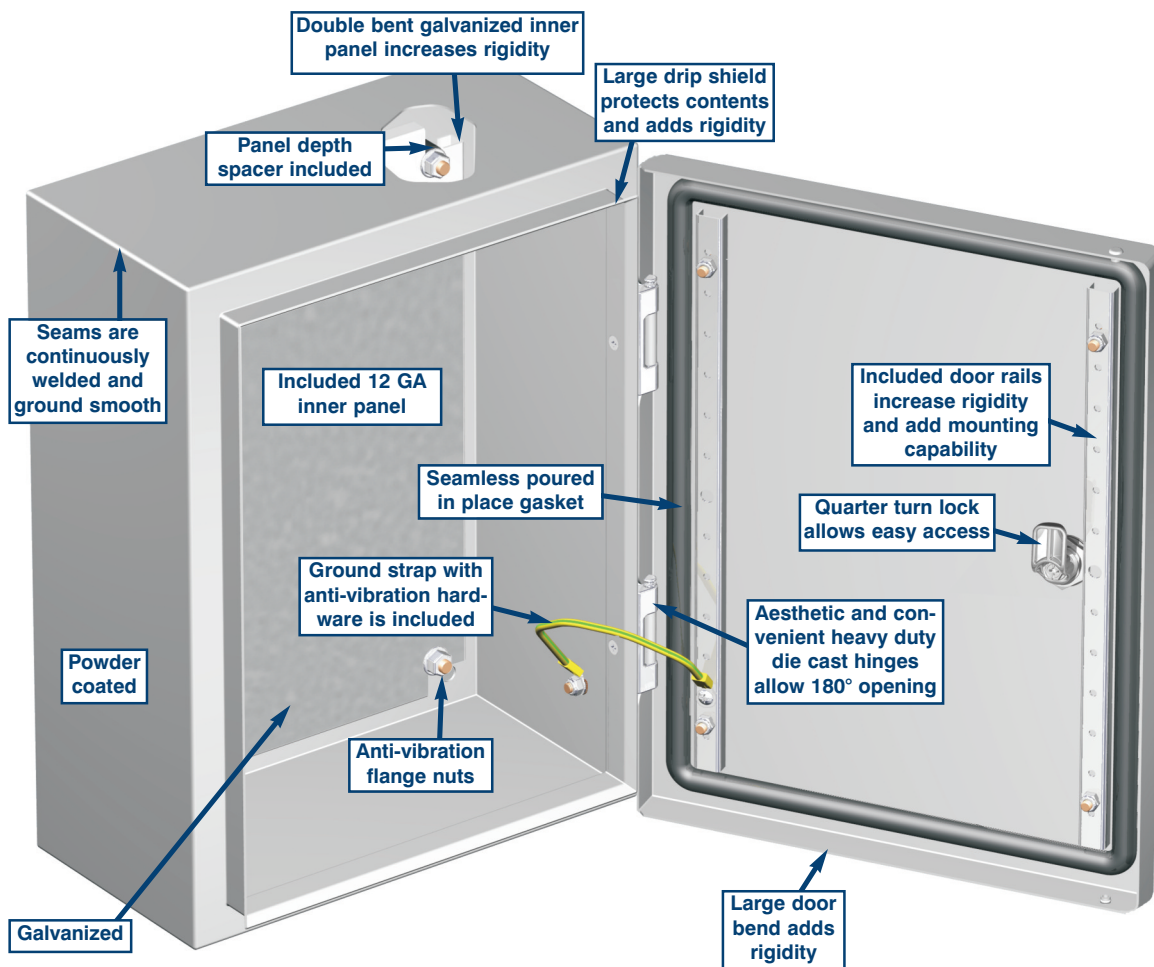
The 6412 ES water, oil & dust tight enclosures are used indoors or outdoors in areas where the enclosures may be subject to hosing or water coming from any direction or for protection against dust, dirt or oil splashing. The 6412 ES is made of high quality 14 GA or 16 GA steel, with corner seams continuously welded. The opening has a curled lip around all sides to increase rigidity and prevent dripping water from entering the box when the door is open. A high quality, seamless

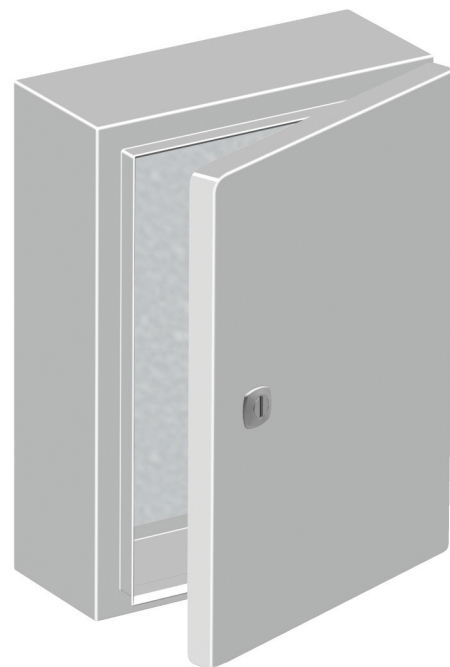
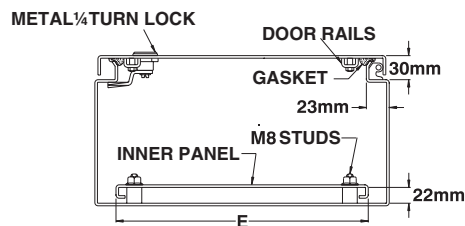
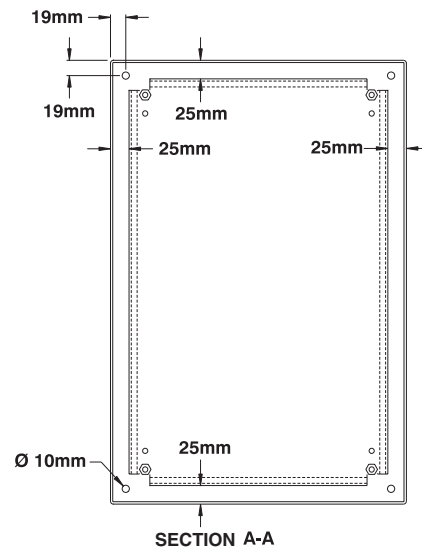
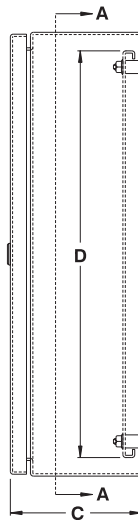
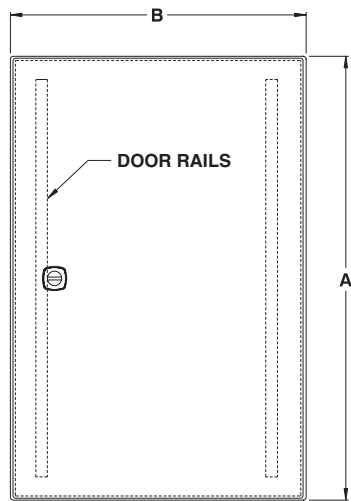
gasket, which is robotically poured-in-place, ensures a complete and durable water-tight seal. The captive pins of the concealed hinges can be pulled to remove the door. A ¼ turn locking mechanism (or 3 point latch system on larger enclosures) ensures positive closing. Internal mounting holes are provided. **Each enclosure comes complete with a 12 GA galvanized inner panel,** which is double bent\* for maximum rigidity and can be mounted on M8 welded studs. Enclosures

are finished with heat fused powder paint, electrostatically applied on a pretreated base. Box is RAL7035 light gray. The inner panel is unpainted galvanized steel.

**CSA Certified / UL Listed  
NEMA/EEMAC 4-12 / IP66**

**Refer to p.734 to validate choice of substrate for the application**





CATALOG NUMBER	DIMENSIONS - METRIC (mm)					SHIP WGT LBS.
	B	A	C	D	E	
6412 ES020315	200	300	150	250	150	13
6412 ES030315	300	300	150	250	250	17
6412 ES030415	300	400	150	350	250	21
6412 ES040315	400	300	150	250	350	21
6412 ES040320	400	300	200	250	350	24
6412 ES040420	400	400	200	350	350	30
6412 ES060420	600	400	200	350	550	40
6412 ES060430	600	400	300	350	550	51

\* Only panels with one side 600mm or more are double bent.

**CUSTOMIZE THIS**  
ENCLOSURE WITH **BOXCAD**  
SIZE - COLOR - CUT-OUTS



p.552

p.538

p.535

p.556

p.539

p.603

p.625

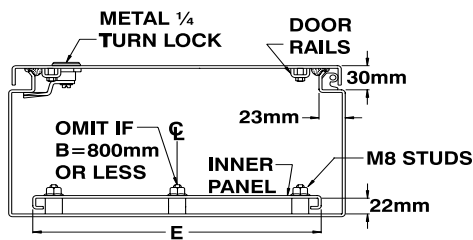
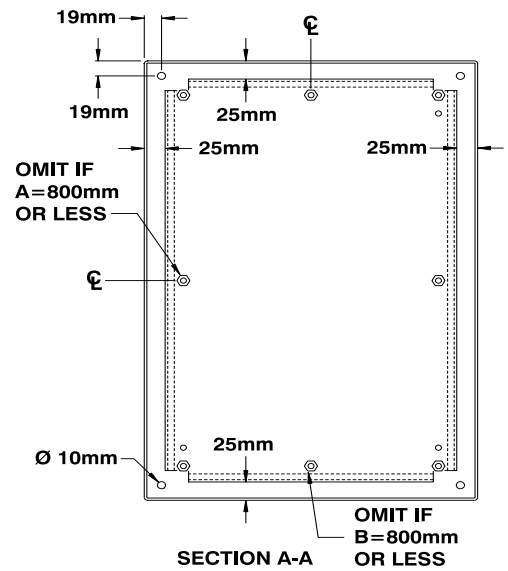
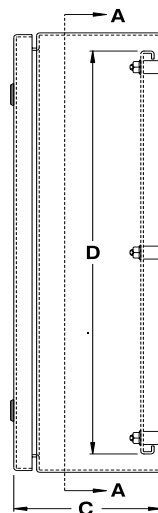
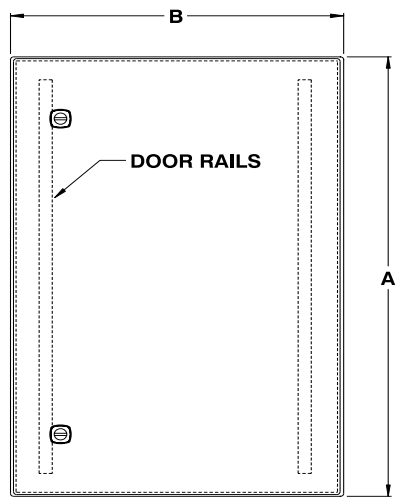
p.565

p.534

# IP66 METRIC BOXES

6412 ES

WATER, OIL & DUST TIGHT ENCLOSURES, METRIC



CATALOG NUMBER	DIMENSIONS - METRIC (mm)					SHIP WGT LBS.
	B	A	C	D	E	
6412 ES030515	300	500	150	450	250	25
6412 ES030520	300	500	200	450	250	29
6412 ES040520	400	500	200	450	350	34
6412 ES040620	400	600	200	550	350	40
6412 ES050520	500	500	200	450	450	41
6412 ES050720	500	700	200	650	450	54
6412 ES060620	600	600	200	550	550	54
6412 ES040525	400	500	250	450	350	40
6412 ES040625	400	600	250	550	350	45
6412 ES050725	500	700	250	650	450	59
6412 ES060825	600	800	250	750	550	75
6412 ES061025	600	1000	250	950	550	96
6412 ES060630	600	600	300	550	550	66
6412 ES060830	600	800	300	750	550	81
6412 ES061030	600	1000	300	950	550	103
6412 ES080830	800	800	300	750	750	106
6412 ES081030	800	1000	300	950	750	128
6412 ES040640	400	600	400	550	350	79
6412 ES060640	600	600	400	550	550	79
6412 ES060840	600	800	400	750	550	101
6412 ES061040	600	1000	400	950	550	123



154



p.506

p.506

p.498

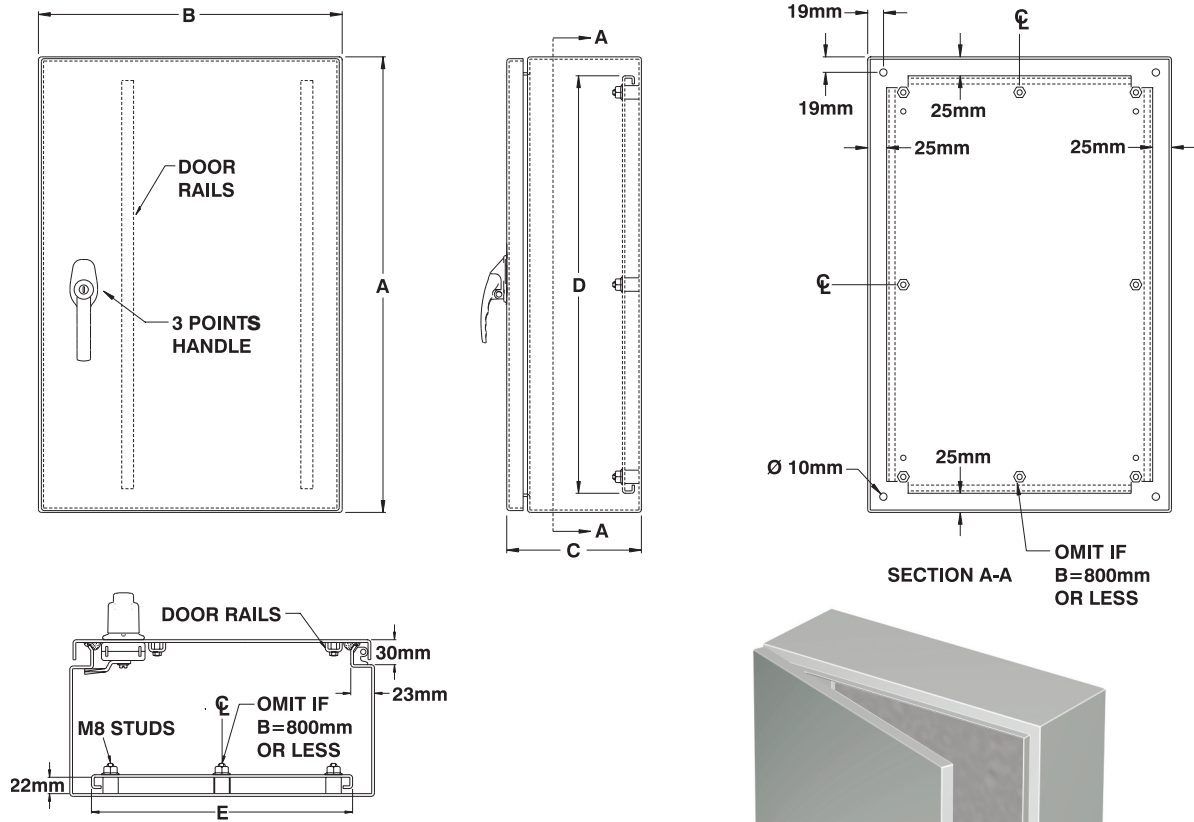
p.506

p.500

p.524

p.554

WATER, OIL & DUST TIGHT ENCLOSURES, METRIC



CATALOG NUMBER	DIMENSIONS - METRIC (mm)					SHIP WGHT LBS.
	B	A	C	D	E	
6412 ES061230	600	1200	300	1150	550	119
6412 ES081230	800	1200	300	1150	750	147



**CUSTOMIZE THIS**  
ENCLOSURE WITH **BOXCAD**  
**SIZE - COLOR - CUT-OUTS**

**Insulated box?** To have your enclosure insulated, add suffix "TH"

i.e.: 6412 ES040420TH → Insulated steel enclosure



p.552

p.538

p.535

p.556

p.539

p.603

p.625

p.565

p.534



**155**